

# STANDARD GATE FOR TU/TUC SKIPS

## Standard Gate Details

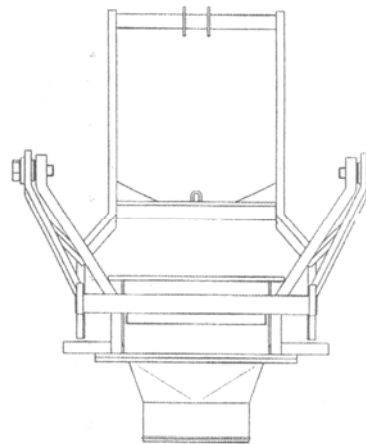
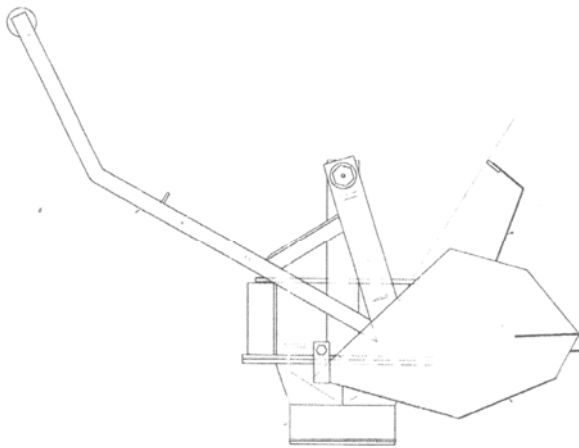
**WHITNEY**

**SECATOL**



The patented TU gate mechanism is the bench mark for all column skips. This gate is fitted as standard to all TU/TUC skips and can be fitted with numerous accessories including quick release fittings for differing diameters of discharge hose, adjustable discharge funnel and chutes.

The gate is manufactured to the highest standards with machined hinge pins fitted with grease points, heavy duty integral gate to ensure continuation of concrete flow. To prevent segregation of the concrete a 200mm diameter, 3 metre rubber discharge hose is fitted as standard.



**WHITNEY**

Ladybird House, Brockhill Yard, Hewell Lane, Redditch, B97 6QT  
www.whitneyeng.com sales@whitneyeng.com 01785 282811  
Sole UK dealers for SECATOL Equipment

STD GATE